



POD 025 - VW MK6 VENTPOD™ INSTALLATION

This document outlines how to install a NewSouth Performance Mk6 VentPod kit¹. Please review this document before attempting your installation.

PARTS LIST:

Mk6 VentPod	TFSI boost fitting or optional MultiTap hose
NewSouth Performance VW White boost gauge	3 auto-tap electrical connectors
Rubber grommet	Rubber boot
Rubber tubing, 2 – 2.5" lengths	6' black nylon tubing

SUGGESTED TOOLS:

Metric wrenches or sockets	Utility or X-Acto type knife
Torx drivers (star-shaped)	Electrical crimping tool
Small flat-bladed screwdriver	Non-marring pry tool
0.375" Drill bit and drill	



LIMITED WARRANTY

NewSouth Performance LLC warrants these products against defects in workmanship and materials for 12 months. This warranty applies to products exposed to normal use or service and does not apply to a product used for a purpose for which it is not intended or a product that has been modified in any way that would be detrimental to the performance or life of the products. No warranty whatsoever will be valid if the defect was caused by customer's abuse, negligence, mishandling, misapplication, by accident, or in use in motorsports or racing. This warranty applies to the original retail purchaser and is not transferable. On any product found to be defective after examination by NewSouth Performance, LLC, NewSouth Performance, LLC will repair or replace the product through the original selling dealer or directly to the retail customer. The customer is responsible for all shipping and handling fees. No labor, diagnosis, loss of time or vehicle use, or inconvenience may be included in any warranty claims. In no event will NewSouth Performance, LLC be liable for any special, incidental, or consequential damages or expenses resulting from possession, use or malfunction of this NewSouth Performance, LLC product. All warranties are void unless installed by a certified automobile mechanic. This warranty is valid only in the United States and Canada.

© 2011 NewSouth Performance, LLC. All rights reserved. No portions of this document may be duplicated or reused without express permission from NewSouth Performance, LLC.

NewSouth Performance, the NewSouth Performance logo, NoBuzz,, NoBracket and VentPod are trademarks of NewSouth Performance LLC.

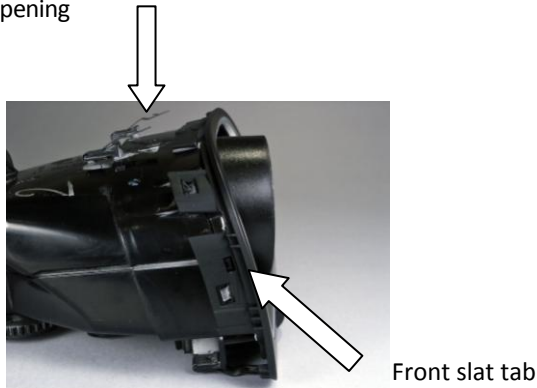
1. This document is not warranted to include all steps to install the VentPod kit. It is a guideline only and the customer or installer assumes all risk in using this document to install this product or others similar to it.

INSTALLATION INSTRUCTIONS

Use appropriate safety precautions at all times. Make sure car is securely parked and on a level surface. Remove negative terminal of battery when working with electricity.

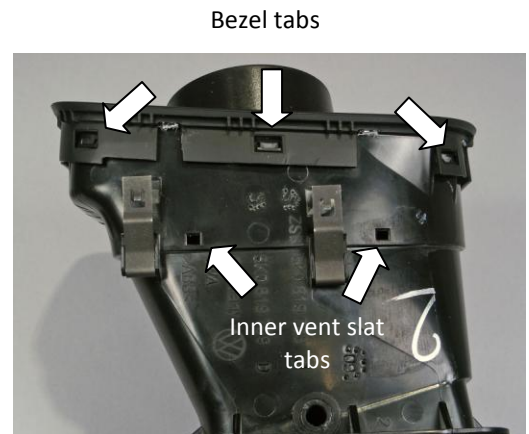
Vent Assembly Removal

1. Remove driver's side fuse panel cover – use notch
2. Remove driver's side vent module by prying out vent with non-marring tool and pushing vent forward from area above fuse panel
3. Press down on upper vent assembly metal tabs to clear dash opening



Vent Bezel and Inner Slats Removal

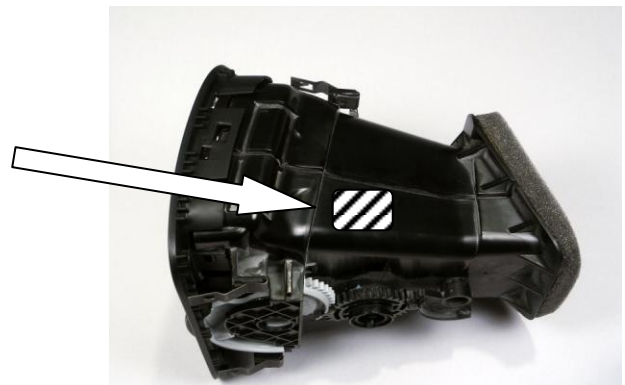
1. Remove vent bezel by pushing down on 7 tabs on top, bottom and sides of vent module with small screwdriver
2. Remove front slats from vent bezel by pressing on tabs (see picture above)
3. Remove inner slats by pushing on 4 tabs and pulling slats forward

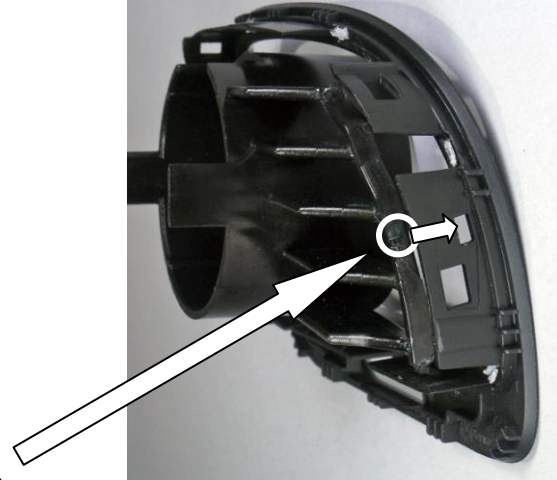
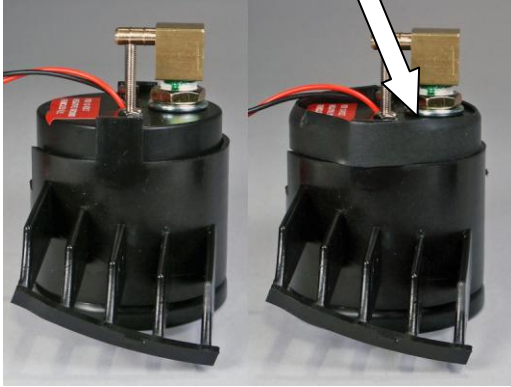


VentPod Installation

With our NoBracket™ system in our VentPod, you WILL NOT NEED the mounting bracket that comes with the gauge to hold the gauge in place

1. Drill a .375" (3/8") hole for the tubing and wires in the lower passenger side of the vent assembly in designated area. Install grommet.





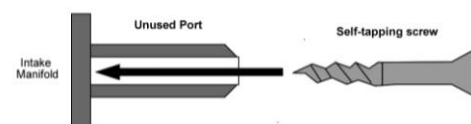
2. Install VentPod into vent bezel by inserting VentPod side tabs into the existing Vent bezel front slat holes.
3. Push gauge into VentPod
4. Use the rubber boot to secure gauge in VentPod
5. Run wiring and nylon tubing through grommet – use rubber line to attach boost tubing to gauge barb. Push rubber tube at least ½” onto nylon tubing. Moisten hose and tubing as needed to ease installation.
6. Reinstall vent bezel
7. Check for proper alignment of gauge and rotate into desired position
8. Push completed vent assembly back into dash.
9. Pull wiring and tubing through grommet. Make sure the tubing and wiring is not kinked or bent.

Notes

1. For a gauge that has a 90° barb, the barb should be pointing straight up or toward passenger side
2. To allow total movement of ON/OFF vent flap, the gauge mounting studs may need to be cut off using a cutoff tool or a hacksaw.

2.0 TFSI Engine

1. Remove Engine Cover -Pull up each side to release pegs
2. Use a self tapping screw to puncture small hole in the end of the unused intake manifold port in front of engine. (See arrow)
3. Install NoBuzz fitting in one end of large rubber hose, use worm gear to secure. **DO NOT USE NIPPLE FOR LEVERAGE.**
4. Install the large rubber hose on port, use other worm gear clamp to secure.
5. Use the small rubber lines to attach boost tubing to nipple on TFSI fitting and gauge barb. Push rubber lines at least ½” onto nylon tubing. Moisten tubing and hose as needed to ease installation.



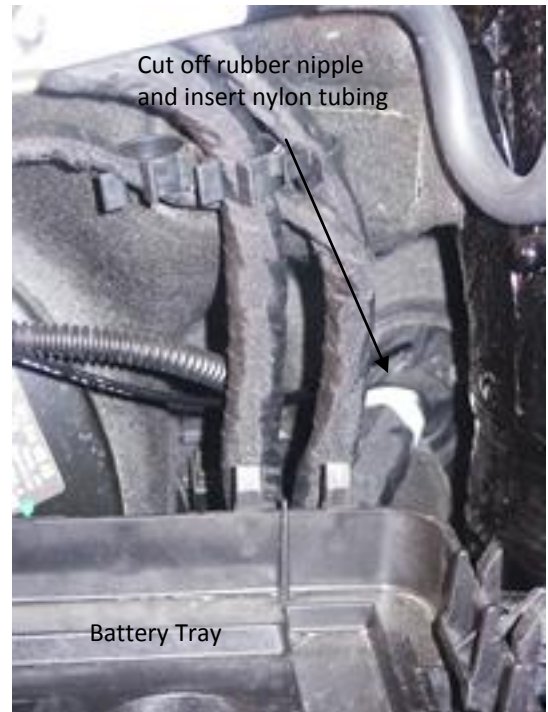
Use self-tapping screw to pierce inside wall of port

VW 2.0 TSI MultiTap Hose

1. Remove engine cover as described above
2. Unclip existing hose
3. Replace with MultiTap Hose

Boost hose routing

1. Insert nylon tubing at least ½” into one of the 2.5” pieces of small rubber tubing. Push tubing onto T-fitting or barb.
2. Remove battery from car. Remove sides of battery housing – pressing clips on each side.
3. Look for main wiring harness where it comes through firewall. Cut off rubber nipple and thread nylon tubing through hole into passenger compartment.
4. Zip tie nylon tubing in place.
5. Reinstall battery, engine cover and MAF harness (on gas engines). Use soapy solution on engine cover grommets to ease installation on pegs.



Boost Gauge Wiring

The NewSouth Performance VW White boost gauge lights up during the day and is dimmable at night, like the Mk6 instrument panel.

1. Remove headlight switch. Press in and rotate right. Pull switch out.
2. Peel back headlight wiring harness covering to expose wires
3. Use red autotap connectors to attach wiring

Ground – black gauge wire to brown headlight wire (position 6 on harness connector)

Switched 12V – red gauge wire to black/purple headlight wire (position 4 on harness connector)

Dimmer – yellow gauge wire to gray headlight wire (position 10 on harness connector)



Final Testing

1. Test the lighting by turning on ignition – both the instrument panel and the gauge will light. Turn on headlight switch and use dimmer control to check gauge dimming .
2. Boost pressure testing – turn on engine. The gauge should read ~20 inHg (+ or – 3 inHg). If reading less than 20 in Hg, check for leaks or kinks in tubing.
3. Reinstall headlight switch, all panels and covers to complete installation.

Congratulations, you are finished with the installation of your NewSouth Performance VentPod kit!